

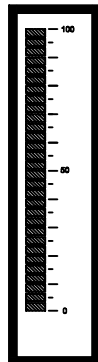
Type: DBA-EA30/Lxxxx

PT1000 TEMPERATURE

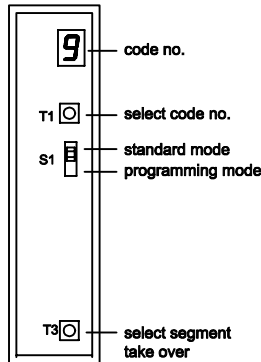


case 96 x 24 mm

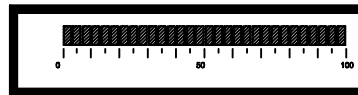
DBA-EA30/LxxxH



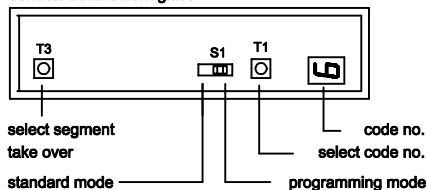
controls behind front glass



DBA-EA30/LxxxQ



controls behind front glass

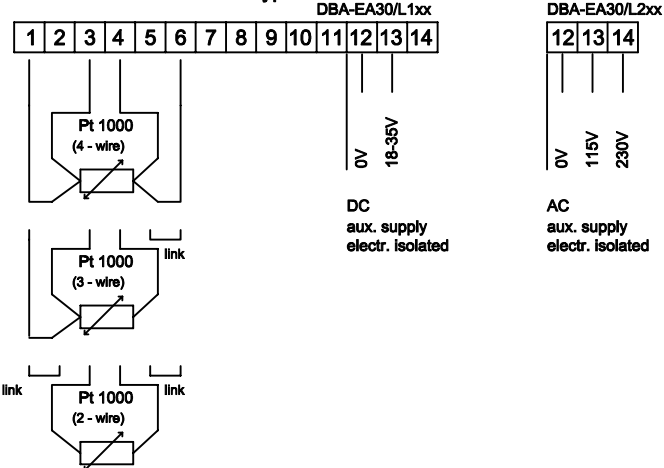


programming mode

CN = code number

CN	scale	description
0	1st segment on	measuring range 0-200 °C
	2nd segment on	measuring range 0-800 °C
	3rd segment on	measuring range 0-200 °F
	4th segment on	measuring range 0-1472 °F
1		zero adjustment for PT1000 2-/3-wire
	1st segment on	carry out zero adjustment
	2nd segment on	delete zero adjustment
2	3rd segment on	zero adjustment take over with T3
4	1st segment on	full scale indication
	2nd segment on	point scale indication
	3rd segment on	full scale indication zero center
	4th segment on	point scale indication zero center

rear connector with screw-type terminals



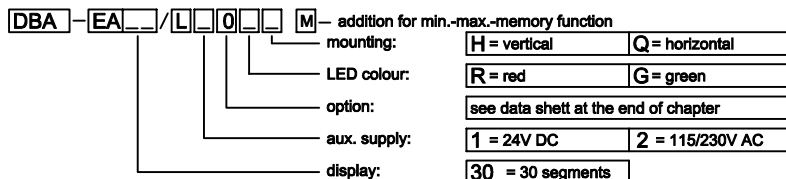
display messages

EEProm under programming	
overflow (flashing of display segments in the middle)	
line-break indication	

technical data

aux. supply:	DBA-EA30/L1xxx: 18-35V DC	DBA-EA30/L2xxx: 115/230V AC
power consumption:	max. 2,5 VA	
measuring range:	PT1000 0-200 °C	
	PT1000 0-800 °C	
	PT1000 0-200 °F	
	PT1000 0-1472 °F	
conversion rate:	approx. 1 per second	
principle of measurement:	dual-slope-integration	
error of measurement:	+/- 1 K, +/- 1 segment	
overflow:	flashing of each 2nd segment	

scale length:	75 mm	30 segments
resolution:	1 segment	
panel cutout:	92(+0,8) x 22,2(+0,8) mm	
mounting depth:	115 mm	
bezel height:	7,5 mm	
option:	Min.-Max.-memory-function	
controls are accessible through the front glass, recall min.- and max.-value with key T2 and T3		



GS Gebhardt & Schäfer Industrie-Elektronik GmbH

Moltkestraße 44a, D-42799 Leichlingen
 Postfach 15 52, D-42786 Leichlingen
 Tel. +49 (0) 21 75 / 89 91 30
 Fax +49 (0) 21 75 / 89 91 39
 Internet: <http://www.GS-GmbH.de>
 E-Mail: info@GS-GmbH.de

Deutsche Bank 24
 Konto-Nr. 851 085 100
 BLZ 375 700 24
 Kreissparkasse Köln
 Konto-Nr. 031 200 61 45
 BLZ 370 502 99

Foreign Payments:
 Deutsche Bank 24
 Account-No. 851 085 1
 Bank Code 375 700 24
 IBAN DE 81375700240008510851
 S.W.I.F.T. DEUTDEK 375

Geschäftsführer:
 Karlheinz Schäfer
 Guido Gebhardt
 USt.-Nr. DE 123713297
 Amtsgericht Köln
 HRB 48860