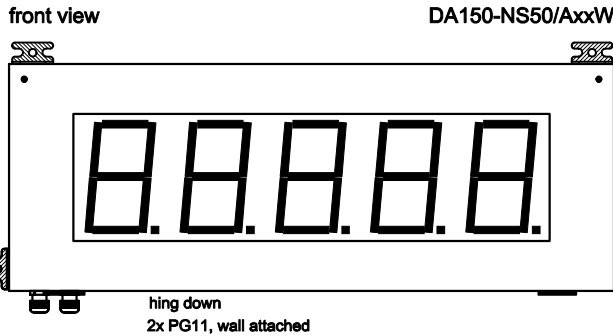
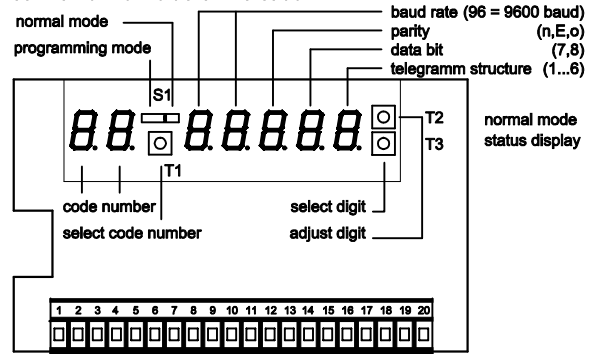


Type: DA150-NSxx/AxxW serial interface



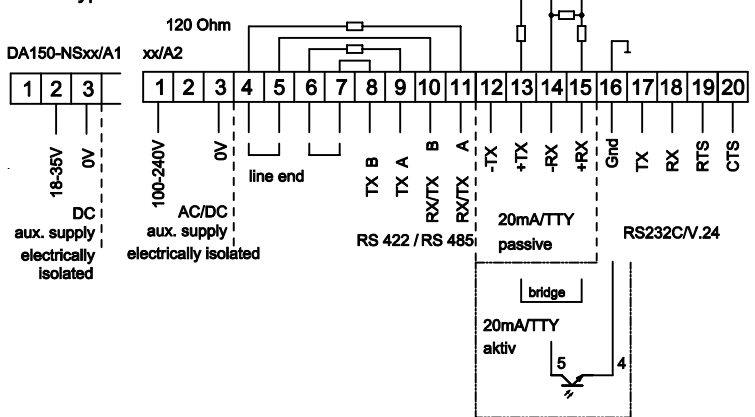
control terms inside of the case



programming

code no.	display	description	
0	0 0 0 0	interface	RS232 20mA/TTY RS485 RS422
1	1 2 0 0	baud	1200 baud
	2 4 0 0		2400 baud
	4 8 0 0		4800 baud
	9 6 0 0		9600 baud
	1 9 2 0 0		19200 baud
2	1	data format	parity
	2	n	none
	3	E	even
	4	a	odd
	5	E	even
3	1	telegramm structure	
	2	D1 ... Dn	timeout between 2 telegramms min. 200ms
	3	STX	address
	4	SOH	address
	5	D1 ... Dn	CR/LF
	6	D1 ... Dn	CR
4	0 0	device address 00 ... 99 (100 addresses adjustable)	
	- 1	address 1 single-digit (-0 ... -9)	
	9 9	address 99 double figures (00 ... 99)	
5	0	leading zeros 0 = without 1 = with	
	1	direction of writing right → left	
6	0 0	blank out from up to 99 sign	
	9 9		
7	0	0 = without comma	
	1	1 ... n = comma position 10 ¹ - 10 ⁿ (2. - n Digit)	
	1	at a negative value underlining off	
8	0 0	timeout function deactivate	
	0 1	01 - 99 sec. after receive last telegramm	
	9 9	show the display -- - - - -	

screw type terminals



software function

function	ASCII	description
segment test	\$0	segment test on (up to the next telegramm)
leading zeros	\$1	leading zeros displayed
	\$2	leading zeros suppressed
blinking sign	\$32	2 is blinking
blinking display	\$4	blinking on
	\$5	blinking off
direction of writing	\$6	left → right
	\$7	right → left

case dimensions

DA150		steel tin mounting case powder seam RAL7032	outside dimension mm	
			width x height x depth	
DA150-NS __ /xxW	DA150-NS __ /xxW D	DA150-NS __ /xxW D1		
30	40	50	600	300 130
40	30	40	700	
50	40	30	800	
	50	40	900	
		50	1000	

will be adjusted under code no. 4 (-0 ... -9) address selection will be shorten equivalent to the telegramm structure

technical data

aux. supply	DA150-NSxx/A1...	18 - 35 V DC
	DA150-NSxx/A2...	100 - 240 V AC/DC
temperature range :	-20 °C...+65 °C	
display height:	150 mm	
display colour :	red or green	
protection kind :	IP65 front side	

sign rate :

Hex	20	2C	2D	2E	30	31	32	33	34	35	36	37	38	39	3D	41	43	45	46	48	4C	50	55	5D	5F	62	63	64	68	6E	6F	72	75	78	7E
Digit	.	-	.	0	1	2	3	4	5	6	7	8	9	-	A	C	E	F	H	L	P	U]	-	b	c	d	h	n	o	r	u	0	1	

DA150-NS	dimension :	D = max. 2 figures	D1 = max. 4 figures
	display colour :	R = red	G = green
	aux. supply :	1 = 24V DC	2 = 230V AC
	interface :	A = RS232C/V24 20mA/TTY RS422 RS485	
	number of digits :	30 = 3 digits	40 = 4 digits
			50 = 5 digits

unknown sign



GS Gebhardt & Schäfer Industrie-Elektronik GmbH

Molkestraße 44a, D-42799 Leichlingen
Postfach 15 52, D-42786 Leichlingen
Tel. +49 (0) 21 75 / 89 91 30
Fax +49 (0) 21 75 / 89 91 39
Internet: <http://www.GS-GmbH.de>
E-Mail: info@GS-GmbH.de

Deutsche Bank 24
Konto-Nr. 851 085 100
BLZ 375 700 24
Kreissparkasse Köln
Konto-Nr. 031 200 61 45
BLZ 370 502 99

Foreign Payments:
Deutsche Bank 24
Account-No. 851 085 1
Bank Code 375 700 24
IBAN DE 81 375700240008510851
S.W.I.F.T. DEUTDEK 375

Geschäftsführer:
Karl Heinz Schäfer
Guido Gebhardt
USt.-Nr. DE 123713297
Amtsgericht Köln
HRB 48860