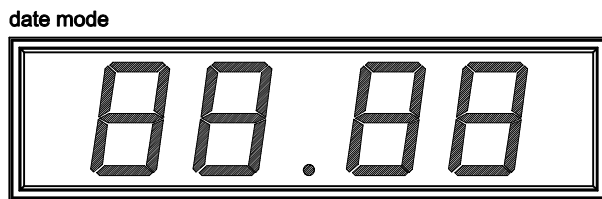
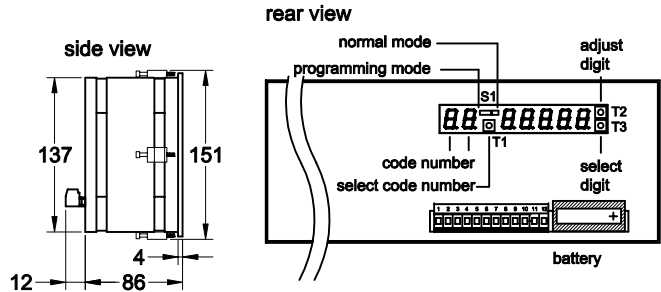
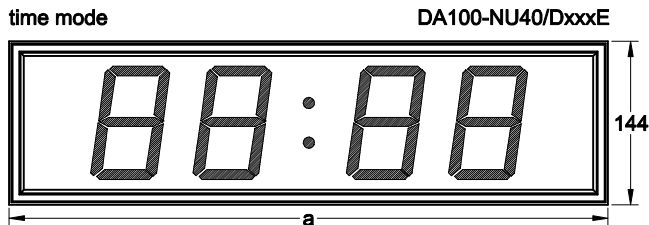


Type: DA100-NUxx/DxxxE
 date / time
 quartz clock (DCF77)



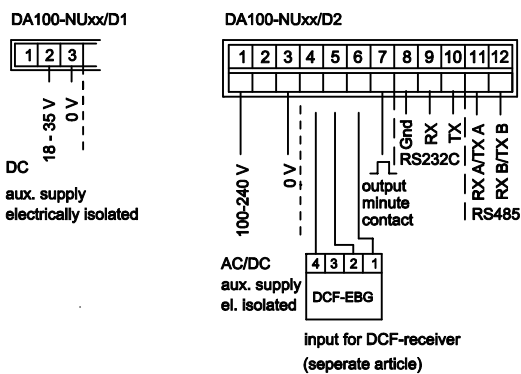
case dimensions

DA100	aluminium case powder seam		bezel width [a]	cutout panel b x h
	case depth (with terms) : 86 (98) mm			
DA100-NU __ /DxxxE				
	time mode	date mode		
	4.0 BB:BB	4.0 BB.BB	528	522 x 138
	6.0 BB:BB:BB	6.0 BB.BB.BB	720	714 x 138

programming

code number	display	description
0	0 0 0 0	adjust time
1	0 0 0 0	adjust date
2	0 0 0 0	adjust year
3	- - P - -	take-over with T3
4	0 0	alternating date / time is displayed
	0 1	only time is displayed
	0 2	only date is displayed
5	max. 99	time length for time is displayed
6	max. 99	time length for date is displayed
7	0 - 9	brightness adjustment
		0 = bright 9 = dark

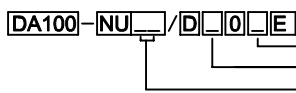
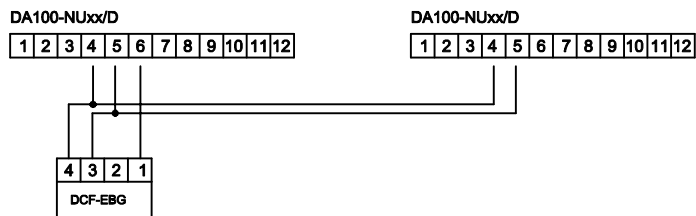
rear connector with screw-type terminals



general data :

aux. supply :	DA100-NUxx/D1...	18 - 35 V DC
	DA100-NUxx/D2...	100 - 240 V AC/DC
power consumption :		max. 18 VA
temperature range :		-20 °C...+65 °C
display height :		100 mm
display colour :		red or green
protection type :		IP65 front

wire reference for 2 clocks and 1 DCF-EBG



display colour :	R = red	G = green
aux. supply :	1 = 24V DC	2 = 230V AC
display :	40 = 4 digits	60 = 6 digits