

# Type: DA13-NA31/Mxxx PT100 TEMPERATURE



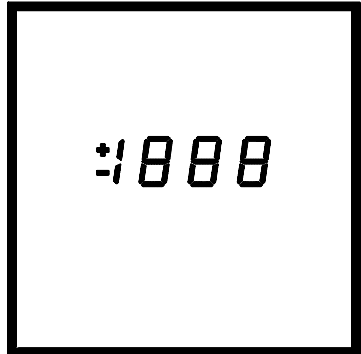
DA13-NA31/Mxxx  
case 96 x 24 mm



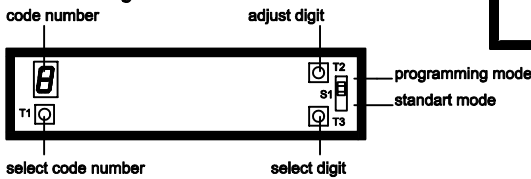
DA13-NA31/Mxxx - 4  
case 96 x 48 mm



DA13-NA31/Mxxx - 9  
case 96 x 96 mm



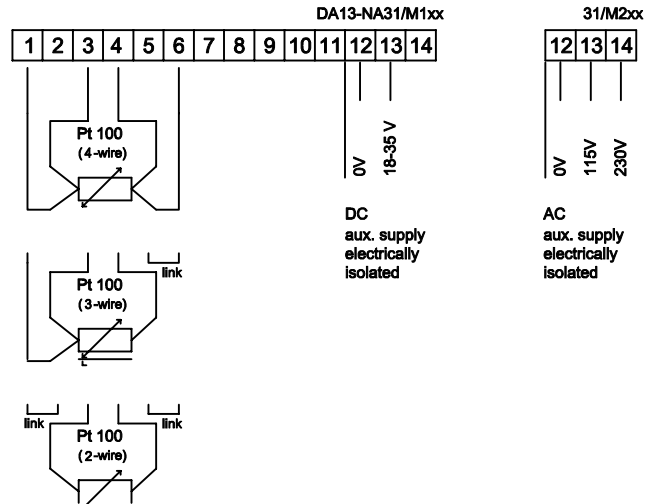
controls  
behind front glass



## programming mode

code number	display	description
0	___ 1	PT100 0-199,9 °C
	___ 2	PT100 0-800 °C
	□ C	PT100 °Celsius
	□ F	PT100 °Fahrenheit
1	---	zero adjustment PT100 2-/3-wire
	↓	carry out zero adjustment
	↓	delete zero adjustment
2	---	zero adjustment take over with T3

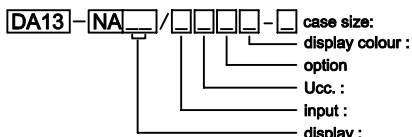
## rear connector with screw-type terminals



## general data

aux. supply:	DA13-NAxx/M1xx	18-35 V DC
	DA13-NAxx/M2xx	115/230 V AC
power consumption:	max. 3 VA	
measuring range:	PT100	-100,0 to 199,9 °C
		-200 to +800 °C
		-100,0 to 199,9 °F
		-200 to +1472 °F
conversion rate:	approx. 1 per second	
principle of measurement:	Dual-Slope-Integration	
error of measurement:	+/- 0,01% of measuring value	
	+/- 1 digit/segment	
resolution:	+/- 1 K (PT100 200 °C: +/- 0,1 °K)	

overflow:	lighting-up of middle segments
display height:	14 mm
mounting depth:	110 mm
panel cutout:	DA13-NA31/Mxxx : 92(+0,8) x 22,2(+0,6) mm
	DA13-NA31/Mxxx -4 : 92(+0,8) x 45(+0,6) mm
	DA13-NA31/Mxxx -9 : 92(+0,8) x 92(+0,8) mm
bezel height:	7,5 mm
controls behind front glass	



without indication:	= 96 x 24 mm	4 = 96 x 48 mm	9 = 96 x 96 mm
R = red	G = green		
look chapter end of datasheet			
1 = 24 V DC	2 = 115/230VAC		
M = PT100 temperature			
31 = 3-1/2 digits			

## GS Gebhardt & Schäfer Industrie-Elektronik GmbH

Moltkestraße 44a, D-42799 Leichlingen  
Postfach 15 52, D-42786 Leichlingen  
Tel. +49 (0) 21 75 / 89 91 30  
Fax +49 (0) 21 75 / 89 91 39  
Internet: <http://www.GS-GmbH.de>  
E-Mail: [info@GS-GmbH.de](mailto:info@GS-GmbH.de)

Deutsche Bank 24  
Konto-Nr. 851 085 100  
BLZ 375 700 24  
Kreissparkasse Köln  
Konto-Nr. 031 200 61 45  
BLZ 370 502 99

Foreign Payments:  
Deutsche Bank 24  
Account-No. 851 085 1  
Bank Code 375 700 24  
IBAN DE 81375700240008510851  
S.W.I.F.T. DEUTDEK 375

Geschäftsführer:  
Karlheinz Schäfer  
Guido Gebhardt  
USt.-Nr. DE 123713297  
Amtsgericht Köln  
HRB 48860